

TUPRONSA

CONEXIÓN FORJADA

3000# y 6000#



TUBERIA Y PRODUCTOS DEL NORTE, S.A. DE C.V.

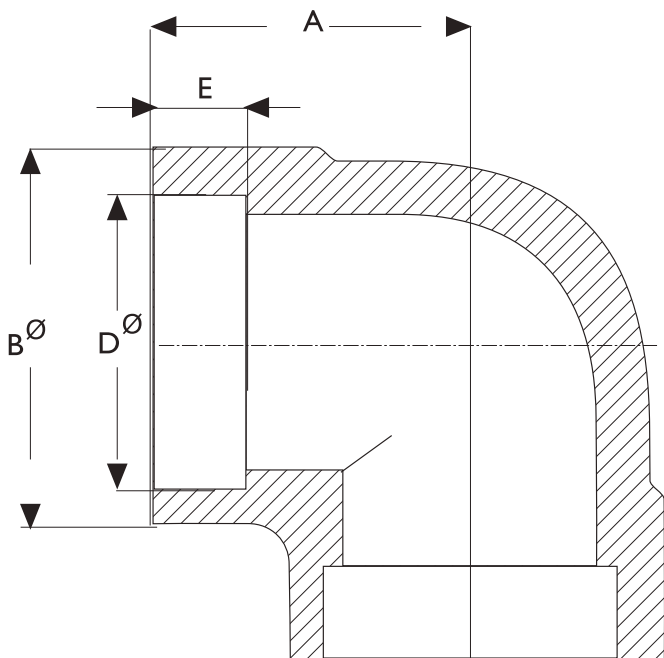
MIGUEL HIDALGO No. 1204 COL. LOS ALTOS, GRAL. ESCOBEDO, N.L. MEXICO C.P. 66052

TEL: (81) 8397 0240 / 8397 4624 / 8397 3855 / 8397 3852 / 8384 46 22 / 8384 1545

www.tupronsa.com.mx

SOCKET WELD

3000# y 6000#



COPLE Y MEDIO COPLE SW



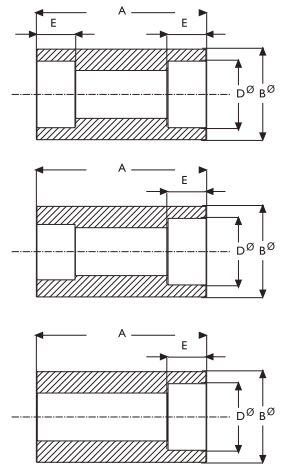
COPLE SW 3000LBS A105

COPLE Y MEDIO COPLE SW A105		Rating: 3000LBS
Especificaciones		
Material	Acero carbono ASTM A105	
Normativa	NACE MR 0175	



COPLE A105 3000LBS / 6000LBS SW

DN	3000LBS					6000LBS				
	A	B Ø	D Ø	E	Peso aprox.	A	B Ø	D Ø	E	Peso aprox.
1/4"	25,5	22,0	14,0	9,5	0,050					
3/8"	28,5	25,5	17,5	11,0	0,060					
1/2"	35,0	31,5	21,7	12,5	0,130	35,0	38,0	21,7	12,5	0,23
3/4"	38,0	38,0	27,1	14,5	0,190	38,0	44,5	27,1	14,5	0,32
1"	44,5	44,5	33,8	16,0	0,260	44,5	57,0	33,8	16,0	0,64
1.1/4"	47,5	57,0	42,6	17,5	0,480	47,5	63,5	42,6	17,5	0,72
1.1/2"	51,0	63,5	48,7	19,0	0,570	51,0	76,0	48,7	19,0	1,17
2"	63,5	76,0	61,1	22,0	0,920	63,5	92,0	61,1	22,0	2,08
2.1/2"	66,5	92,0	73,8	23,5	1,400	66,5	108,0	73,8	23,5	2,80
3"	70,0	108,0	89,8	25,5	1,800	70,0	127,0	89,8	25,5	3,23
4"	76,0	140,0	115,4	28,5	3,230	76,0	159,0	115,4	28,5	6,22



MEDIO COPLE A105 3000LBS / 6000LBS SW

DN	3000LBS					6000LBS				
	A	B Ø	D Ø	E	Peso aprox.	A	B Ø	D Ø	E	Peso aprox.
1/4"	25,5	22,0	14,0	9,5	0,050					
3/8"	28,5	25,5	17,5	11,0	0,060					
1/2"	35,0	31,5	21,7	12,5	0,130	35,0	38,0	21,7	12,5	0,23
3/4"	38,0	38,0	27,1	14,5	0,190	38,0	44,5	27,1	14,5	0,32
1"	44,5	44,5	33,8	16,0	0,260	44,5	57,0	33,8	16,0	0,64
1.1/4"	47,5	57,0	42,6	17,5	0,480	47,5	63,5	42,6	17,5	0,72
1.1/2"	51,0	63,5	48,7	19,0	0,570	51,0	76,0	48,7	19,0	1,17
2"	63,5	76,0	61,1	22,0	0,920	63,5	92,0	61,1	22,0	2,08
2.1/2"	66,5	92,0	73,8	23,5	1,400	66,5	108,0	73,8	23,5	2,80
3"	70,0	108,0	89,8	25,5	1,800	70,0	127,0	89,8	25,5	3,23
4"	76,0	140,0	115,4	28,5	3,230	76,0	159,0	115,4	28,5	6,22

TUBERIA Y PRODUCTOS DEL NORTE, S.A. DE C.V.

MIGUEL HIDALGO No. 1204 COL. LOS ALTOS, GRAL. ESCOBEDO, N.L. MEXICO C.P. 66052
 TEL: (81) 8397 0240 / 8397 4624 / 8397 3855 / 8397 3852 / 8384 46 22 / 8384 1545

www.tupronsa.com.mx

CODO SW



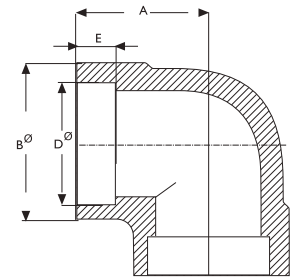
CODO 90° SW 3000LBS A105



CODO 90° SW		Rating: 3000LBS
Especificaciones		
Material	Acero carbono ASTM A105	
Normativa	NACE MR 0175	

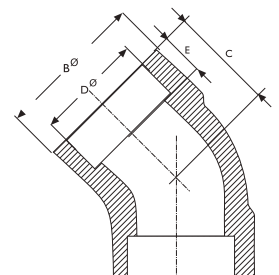
CODOS 90° 3000LBS / 6000LBS SW

DN	3000LBS					6000LBS				
	A	B Ø	D Ø	E	Peso aprox.	A	B Ø	D Ø	E	Peso aprox.
1/4"	24,5	25,5	14,0	9,5	0,050					
3/8"	24,5	25,5	17,5	11,0	0,060					
1/2"	28,5	33,5	21,7	12,5	0,130	35,0	38,0	21,7	12,5	0,230
3/4"	33,5	38,0	27,1	14,5	0,190	38,0	44,5	27,1	14,5	0,320
1"	38,0	46,0	33,8	16,0	0,260	44,5	57,0	33,8	16,0	0,640
1.1/4"	44,5	55,5	42,6	17,5	0,480	47,5	63,5	42,6	17,5	0,720
1.1/2"	51,0	62,0	48,7	19,0	0,570	51,0	76,0	48,7	19,0	1,170
2"	60,5	75,5	61,1	22,0	0,920	63,5	92,0	61,1	22,0	2,080
2.1/2"	76,0	92,0	73,8	23,5	1,400	66,5	108,0	73,8	23,5	2,800
3"	86,0	110,0	89,8	25,5	1,800	70,0	127,0	89,8	25,5	3,230
4"	114,5	152,5	115,4	28,5	3,230	76,0	159,0	115,4	28,5	6,220



CODOS 45° 3000LBS / 6000LBS SW

DN	3000LBS					6000LBS				
	A	B Ø	D Ø	E	Peso aprox.	A	B Ø	D Ø	E	Peso aprox.
1/4"	25,5	19,0	14,0	9,5	0,10					
3/8"	25,5	19,0	17,5	11,0	0,10					
1/2"	38,0	25,5	21,7	11,0	0,26	38,0	25,5	21,7	12,5	0,31
3/4"	38,0	25,5	27,1	12,5	0,25	46,0	28,5	27,1	14,5	0,52
1"	46,0	28,5	33,8	14,5	0,38	55,5	33,5	33,8	16,0	0,92
1.1/4"	55,5	33,5	42,6	16,0	0,61	62,0	35,0	42,6	14,5	1,02
1.1/2"	62,0	35,0	48,7	16,0	0,71	75,5	43,0	48,7	17,5	1,92
2"	75,5	43,0	61,1	17,5	1,14	84,0	43,5	61,1	15,0	2,29
2.1/2"	101,5	52,5	73,8	24,0	3,36	101,5	52,5	73,8	20,5	4,04
3"	118,0	63,5	89,8	32,0	4,70	118,0	63,5	89,8	28,5	5,80
4"	146,0	79,5	115,4	38,0	9,00	146,0	79,5	115,4	38,0	10,65



TUBERIA Y PRODUCTOS DEL NORTE, S.A. DE C.V.

MIGUEL HIDALGO No. 1204 COL. LOS ALTOS, GRAL. ESCOBEDO, N.L. MEXICO C.P. 66052
 TEL: (81) 8397 0240 / 8397 4624 / 8397 3855 / 8397 3852 / 8384 46 22 / 8384 1545

www.tupronsa.com.mx

TEE SW

TEE SW 3000LBS A105

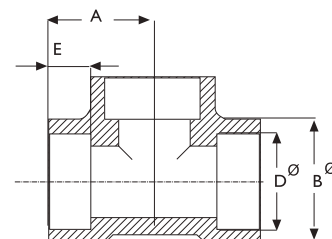


TEE SW A105		Rating: 3000LBS
Especificaciones		
Material	Acero carbono ASTM A105	
Normativa	NACE MR 0175	



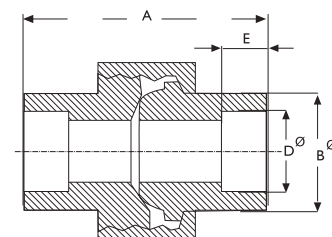
TEE 3000LBS / 6000LBS SW

DN	3000LBS					6000LBS				
	A	B Ø	D Ø	E	Peso aprox.	A	B Ø	D Ø	E	Peso aprox.
1/4"	24,5	25,5	14,0	13,5	0,150					
3/8"	24,5	25,5	17,5	11,0	0,140					
1/2"	28,5	33,5	21,7	12,5	0,300	33,5	38,0	21,7	14,5	0,530
3/4"	33,5	38,0	27,1	14,5	0,380	38,0	46,0	27,1	16,0	0,880
1"	38,0	46,0	33,8	16,0	0,610	44,5	55,5	33,8	17,5	1,440
1.1/4"	44,5	55,5	42,6	17,5	0,930	51,0	62,0	42,6	19,0	1,790
1.1/2"	51,0	62,0	48,7	19,0	1,240	60,5	75,5	48,7	22,0	3,240
2"	60,5	75,5	61,1	22,0	1,910	63,5	84,0	61,1	22,0	3,510
2.1/2"	76,0	92,0	73,8	34,5	3,700	86,0	110,0	73,8	30,0	8,800
3"	86,0	110,0	89,8	29,0	5,500	95,5	120,5	89,8	32,0	10,500
4"	114,5	152,5	115,4	48,0	19,000	114,5	152,5	115,4	35,0	22,200



TUERCA UNIÓN 3000LBS SW

DN	3000LBS				
	A min	B Ø min	D Ø	E	Peso aprox.
1/4"	44.5	22.0	14.0	9.5	0.230
3/8"	47.5	25.5	17.5	11.0	0.340
1/2"	54.0	32.0	21.7	12.5	0.390
3/4"	58.5	38.0	27.1	14.5	0.480
1"	63.5	44.5	33.8	16.0	0.660
1.1/4"	71.5	57.0	42.6	17.5	1.150
1.1/2"	79.5	63.5	48.7	19.0	1.420
2"	92.0	76.0	61.1	22.0	2.450



TUBERIA Y PRODUCTOS DEL NORTE, S.A. DE C.V.

MIGUEL HIDALGO No. 1204 COL. LOS ALTOS, GRAL. ESCOBEDO, N.L. MEXICO C.P. 66052
 TEL: (81) 8397 0240 / 8397 4624 / 8397 3855 / 8397 3852 / 8384 46 22 / 8384 1545

www.tupronsa.com.mx

TAPÓN CAPA SW

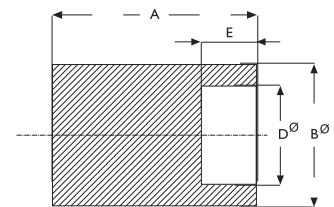
CAPA SW 3000LBS A105



CAP 90° SW		Rating: 3000LBS
Especificaciones		
Material	Acero carbono ASTM A105	
Normativa	NACE MR 0175	

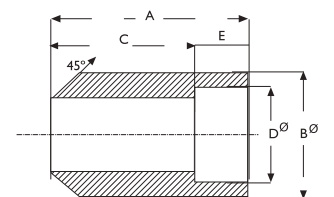
CAPS 3000LBS / 6000LBS SW

DN	3000LBS						6000LBS					
	A	B Ø	D Ø	E	Peso aprox.	A	B Ø	D Ø	E	Peso aprox.		
1/4"	17,5	22,0	14,0	9,5	4,100							
3/8"	19,0	25,5	17,5	11,0	5,400							
1/2"	22,0	31,5	21,7	12,5	10,000	25,5	38,0	21,7	12,5	19,100		
3/4"	25,5	38,0	27,1	14,5	16,300	27,0	44,5	27,1	14,5	26,500		
1"	27,0	44,5	33,8	16,0	21,800	32,0	57,0	33,8	16,0	52,700		
1.1/4"	30,0	57,0	42,6	17,5	41,300	33,5	63,5	42,6	17,5	63,600		
1.1/2"	32,0	63,5	48,7	19,0	50,800	35,0	76,0	48,7	19,0	97,200		
2"	38,0	76,0	61,1	22,0	85,400	41,5	92,0	61,1	22,0	164,300		
2.1/2"	38,0	92,0	73,8	23,5	125,000	41,5	108,0	73,8	23,5	223,000		
3"	44,5	108,0	89,8	25,5	195,000	47,5	127,0	89,8	25,5	345,000		
4"	47,5	140,0	115,4	28,5	336,000	54,0	159,0	115,4	28,5	460,400		

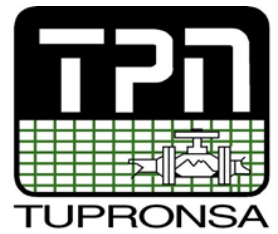


BOSSES 3000LBS SW

DN	3000LBS						
	A min	B Ø min	C	D Ø	E	Peso aprox.	
1/4"	41,5	32,0	32,0	14,0	9,5	0,230	
3/8"	44,5	35,0	33,5	17,5	11,0	0,290	
1/2"	51,0	38,0	38,0	21,7	12,5	0,360	
3/4"	51,0	44,5	36,5	27,1	14,5	0,480	
1"	51,0	57,0	35,0	33,8	16,0	0,770	
1.1/4"	51,0	63,5	33,5	42,6	17,5	0,840	
1.1/2"	51,0	76,0	32,0	48,7	19,0	1,210	
2"	51,0	92,0	28,5	61,1	22,0	1,710	



INSERTO REDUCIDO SW



INSERTO REDUCIDO SW 3000LBS A105

INSERTO REDUCIDO SW A105		Rating: 3000LBS
Especificaciones		
Material	Acero carbono ASTM A105	
Normativa	NACE MR 0175	

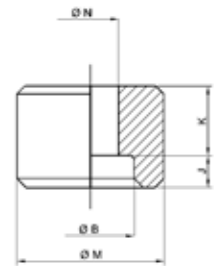
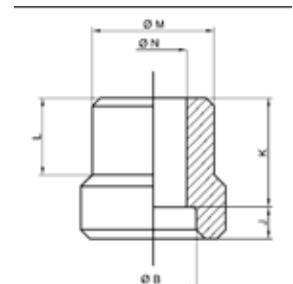
INSERTO REDUCIDO 3000LBS SW

DN	3000LBS				
	Tipo	M'	N'	K'	L'
1/2" x 3/8"	1	21.60	11.00	24.00	20.00
1/2" x 1/4"	2	21.60	7.50	15.50	-
3/4" x 1/2"	1	26.90	14.00	27.00	22.00
3/4" x 3/8"	2	26.90	11.00	15.50	-
1" x 3/4"	1	33.60	19.00	28.50	23.00
1" x 1/2"	2	33.60	14.00	24.00	-
1.1/4" x 1"	1	42.40	24.50	31.50	24.50
1.1/4" x 3/4"	2	42.40	19.00	22.00	-
1.1/2" x 1.1/4"	1	48.50	32.50	33.50	27.00
1.1/2" x 1"	2	48.50	24.50	33.50	-
2" x 1.1/2"	2	60.90	38.00	27.00	-
2.1/2" x 2"	1	73.60	49.00	41.50	30.00

INSERTO REDUCIDO 6000LBS SW

DN	6000LBS				
	Tipo	M'	N'	K'	L'
1/2" x 3/8"	1	21.60	11.00	30.00	21.00
3/4" x 1/2"	1	26.90	12.00	33.50	23.00
3/4" x 3/8"	2	26.90	11.00	25.50	-
1" x 3/4"	1	33.60	15.50	42.00	26.00
1" x 1/2"	1	33.60	12.00	40.00	24.00
1.1/4" x 1"	1	42.40	20.50	43.00	28.00
1.1/4" x 3/4"	1	42.40	15.50	43.00	28.00
1.1/4" x 1/2"	2	42.40	12.00	32.00	-
1.1/2" x 1.1/4"	1	48.50	29.50	51.00	32.00
1.1/2" x 1"	1	48.50	20.50	49.00	28.00
1.1/2" x 3/4"	2	48.50	15.50	35.00	-
2" x 1.1/2"	1	60.90	34.00	46.00	34.00
2" x 1.1/4"	1	60.90	29.50	47.50	34.00
2.1/2" x 2"	1	73.60	43.00	54.00	36.00
2.1/2" x 1.1/2"	2	73.60	34.00	47.50	-
3" x 2.1/2"	1	89.60	54.00	63.50	38.00
3" x 2"	2	89.60	43.00	54.00	-

Tipo 1



Tipo 2

TUBERIA Y PRODUCTOS DEL NORTE, S.A. DE C.V.

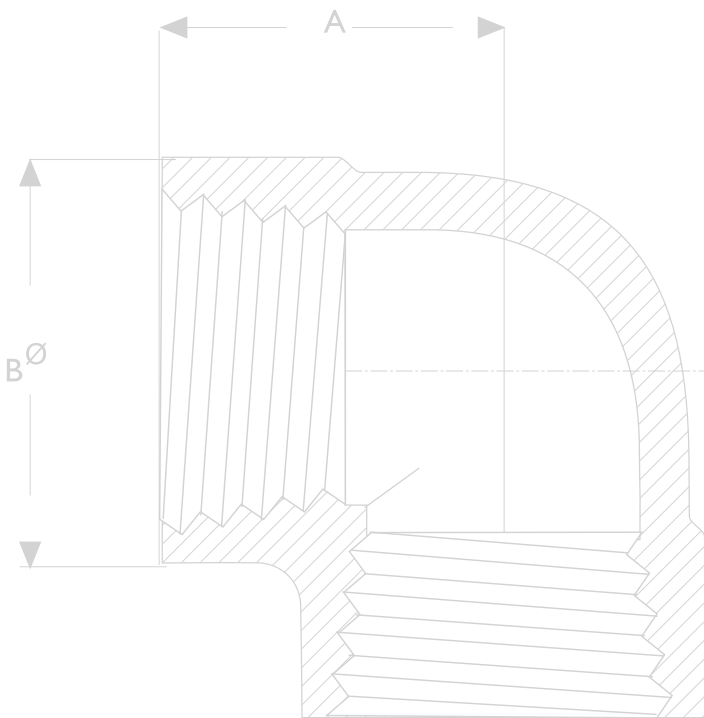
MIGUEL HIDALGO No. 1204 COL. LOS ALTOS, GRAL. ESCOBEDO, N.L. MEXICO C.P. 66052

TEL: (81) 8397 0240 / 8397 4624 / 8397 3855 / 8397 3852 / 8384 46 22 / 8384 1545

www.tupronsa.com.mx

ROSCABLE

3000# y 6000#

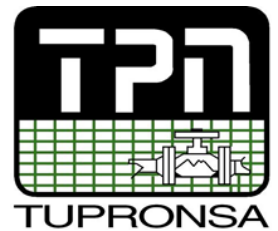


TUBERIA Y PRODUCTOS DEL NORTE, S.A. DE C.V.

MIGUEL HIDALGO No. 1204 COL. LOS ALTOS, GRAL. ESCOBEDO, N.L. MEXICO C.P. 66052
TEL: (81) 8397 0240 / 8397 4624 / 8397 3855 / 8397 3852 / 8384 46 22 / 8384 1545

www.tupronsa.com.mx

COPLE Y MEDIO COPLE ROSCADO



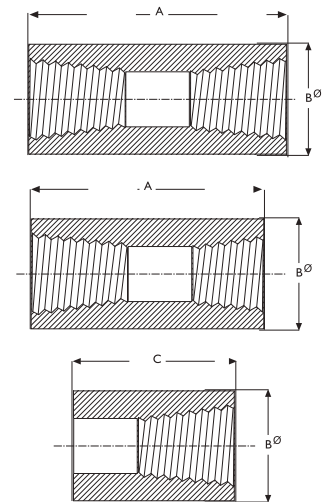
COPLE SW 3000LBS A105

COPLE, COPLE REDUCIDO Y MEDIO COPLE NPT A105		Rating: 3000LBS
Especificaciones		
Material	Acero carbono ASTM A105	
Normativa	NACE MR 0175	



COPLE A105 3000LBS / 6000LBS NPT

DN	3000LBS				6000LBS			
	A	B Ø	C	Peso aprox.	A	B Ø	C	Peso aprox.
1/4"	35,0	19,0	17,5	0,050	35,0	25,5	17,5	0,060
3/8"	38,0	22,0	19,0	0,060	38,0	32,0	19,0	0,180
1/2"	47,5	29,0	24,0	0,130	47,5	38,0	24,0	0,310
3/4"	51,0	35,0	25,5	0,190	51,0	44,5	25,5	0,410
1"	60,5	44,5	30,0	0,390	60,5	57,0	30,0	0,850
1.1/4"	66,5	57,0	33,5	0,680	66,5	63,5	33,5	1,050
1.1/2"	79,5	63,5	39,5	1,000	79,5	76,0	39,5	1,810
2"	85,5	76,0	43,0	1,370	85,5	92,0	43,0	3,400
2.1/2"	92,0	92,0	46,0	2,070	92,0	108,0	46,0	4,190
3"	108,0	108,0	54,0	3,080	108,0	127,0	54,0	6,100
4"	120,5	140,0	60,0	5,440	120,5	159,0	60,0	10,300



MEDIO MANGUITO A105 3000LBS / 6000LBS NPT

DN	3000LBS				6000LBS			
	A	B Ø	C	Peso aprox.	A	B Ø	C	Peso aprox.
1/4"	35,0	19,0	17,5	0,020	35,0	25,5	17,5	0,030
3/8"	38,0	22,0	19,0	0,030	38,0	32,0	19,0	0,090
1/2"	47,5	29,0	24,0	0,060	47,5	38,0	24,0	0,160
3/4"	51,0	35,0	25,5	0,100	51,0	44,5	25,5	0,200
1"	60,5	44,5	30,0	0,200	60,5	57,0	30,0	0,430
1.1/4"	66,5	57,0	33,5	0,340	66,5	63,5	33,5	0,530
1.1/2"	79,5	63,5	39,5	0,500	79,5	76,0	39,5	0,910
2"	85,5	76,0	43,0	0,690	85,5	92,0	43,0	1,700
2.1/2"	92,0	92,0	46,0	1,040	92,0	108,0	46,0	2,100
3"	108,0	108,0	54,0	1,540	108,0	127,0	54,0	3,050
4"	120,5	140,0	60,0	2,730	120,5	159,0	60,0	5,030

TUBERIA Y PRODUCTOS DEL NORTE, S.A. DE C.V.

MIGUEL HIDALGO No. 1204 COL. LOS ALTOS, GRAL. ESCOBEDO, N.L. MEXICO C.P. 66052
TEL: (81) 8397 0240 / 8397 4624 / 8397 3855 / 8397 3852 / 8384 46 22 / 8384 1545

www.tupronsa.com.mx

CODO ROSCADO

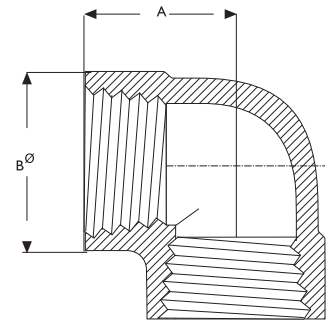
CODO 90° NPT 3000LBS A105



CODO 90° NPT		Rating: 3000LBS
Especificaciones		
Material	Acero carbono ASTM A105	
Normativa	NACE MR 0175	

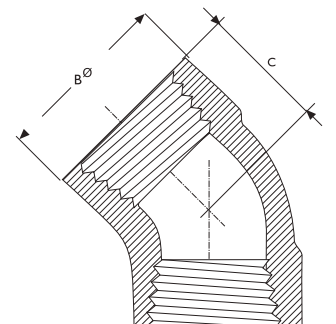
CODOS 90° 3000LBS / 6000LBS NPT

DN	3000LBS			6000LBS		
	A	B Ø	Peso aprox. (kg.)	A	B Ø	Peso aprox. (kg.)
1/4"	24,5	25,5	0,140	28,5	33,5	0,300
3/8"	28,5	33,5	0,270	33,5	38,0	0,460
1/2"	33,5	38,0	0,410	38,0	46,0	0,720
3/4"	38,0	46,0	0,650	44,5	55,5	1,160
1"	44,5	55,5	1,040	51,0	62,0	1,620
1.1/4"	51,0	62,0	1,310	60,5	75,5	2,670
1.1/2"	60,5	75,5	2,220	63,5	84,0	3,210
2"	63,5	84,0	2,470	86,0	110,0	7,940
2.1/2"	86,0	110,0	7,340	95,5	120,5	9,850
3"	95,5	120,5	7,780	114,5	152,5	18,000
4"	114,5	152,5	13,280			



CODOS 45° 3000LBS / 6000LBS NPT

DN	3000LBS			6000LBS		
	B Ø	C	Peso aprox. (kg.)	B Ø	C	Peso aprox. (kg.)
1/4"	25,5	19,0	0,120	38,0	25,5	0,400
3/8"	38,0	25,5	0,370	38,0	25,5	0,380
1/2"	38,0	25,5	0,340	46,0	28,5	0,610
3/4"	46,0	28,5	0,530	55,5	33,5	1,020
1"	55,5	33,5	0,520	62,0	35,0	1,180
1.1/4"	62,0	35,0	0,960	75,5	43,0	2,070
1.1/2"	75,5	43,0	1,840	84,0	43,5	2,610
2"	84,0	43,5	1,930	101,5	52,5	4,370
2.1/2"	101,5	52,5	3,460	120,5	63,5	7,000
3"	120,5	63,5	5,450	152,5	79,5	14,160
4"	152,5	79,5	9,500			



TUBERIA Y PRODUCTOS DEL NORTE, S.A. DE C.V.

MIGUEL HIDALGO No. 1204 COL. LOS ALTOS, GRAL. ESCOBEDO, N.L. MEXICO C.P. 66052
 TEL: (81) 8397 0240 / 8397 4624 / 8397 3855 / 8397 3852 / 8384 46 22 / 8384 1545

www.tupronsa.com.mx

TEE ROSCADA



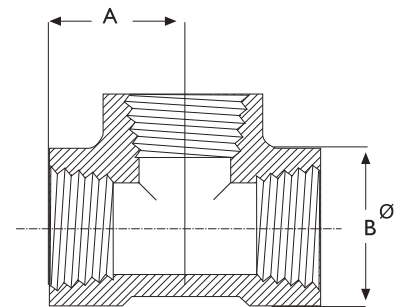
TEE NPT 3000LBS A105

TES NPT A105		Rating: 3000LBS
Especificaciones		
Material	Acero carbono ASTM A105	
Normativa	NACE MR 0175	



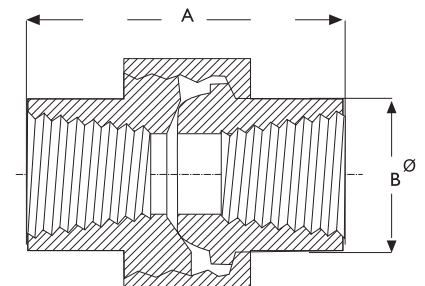
TES 3000LBS / 6000LBS NPT

DN	3000LBS			6000LBS		
	A	B Ø	Peso aprox. (kg.)	A	B Ø	Peso aprox. (kg.)
1/4"	24,5	25,5	0,200	28,5	33,5	0,410
3/8"	28,5	33,5	0,380	33,5	38,0	0,620
1/2"	33,5	38,0	0,560	38,0	46,0	0,980
3/4"	38,0	46,0	0,840	44,5	55,5	1,650
1"	44,5	55,5	1,360	51,0	62,0	2,190
1.1/4"	51,0	62,0	1,650	60,5	75,5	3,320
1.1/2"	60,5	75,5	3,100	63,5	84,0	4,430
2"	63,5	84,0	3,180	86,0	110,0	8,500
2.1/2"	86,0	110,0	8,800	95,5	120,5	13,100
3"	95,5	120,5	9,500	114,5	152,5	24,000
4"	114,5	152,5	17,200			



TUERCA UNIÓN 3000LBS NPT

DN	3000LBS		
	A min	B Ø min	Peso aprox.
1/4"	44,5	22,0	0,140
3/8"	47,5	25,5	0,200
1/2"	54,0	32,0	0,350
3/4"	58,5	38,0	0,430
1"	63,5	44,5	0,650
1.1/4"	71,5	57,0	0,980
1.1/2"	79,5	63,5	1,260
2"	92,0	76,0	2,010



TUBERIA Y PRODUCTOS DEL NORTE, S.A. DE C.V.

MIGUEL HIDALGO No. 1204 COL. LOS ALTOS, GRAL. ESCOBEDO, N.L. MEXICO C.P. 66052
 TEL: (81) 8397 0240 / 8397 4624 / 8397 3855 / 8397 3852 / 8384 46 22 / 8384 1545

www.tupronsa.com.mx

TAPON CAPA ROSCADO

CAPA NPT 3000LBS A105



CAP 90° NPT

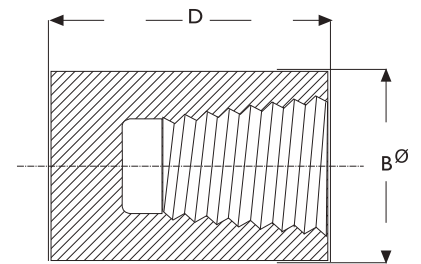
Rating: 3000LBS

Especificaciones

Material Acero carbono ASTM A105
Normativa NACE MR 0175

CAPS 3000LBS / 6000LBS NPT

DN	3000LBS			6000LBS		
	D	B Ø	Peso aprox.	D	B Ø	Peso aprox.
1/4"	25,5	19,0	0,040	25,5	25,5	0,060
3/8"	25,5	22,0	0,050	30,0	32,0	0,090
1/2"	32,0	29,0	0,110	35,0	38,0	0,140
3/4"	36,5	35,0	0,180	38,0	44,5	0,200
1"	41,5	44,5	0,330	46,0	57,0	0,340
1.1/4"	44,5	57,0	0,600	47,5	63,5	0,600
1.1/2"	44,5	63,5	0,700	47,5	76,0	0,770
2"	47,5	76,0	1,060	51,0	92,0	1,470
2.1/2"	60,5	92,0	1,840	63,5	108,0	2,100
3"	65,0	108,0	1,650	68,0	127,0	2,000
4"	68,0	140,0	4,570	74,5	159,0	6,300



TUBERIA Y PRODUCTOS DEL NORTE, S.A. DE C.V.

MIGUEL HIDALGO No. 1204 COL. LOS ALTOS, GRAL. ESCOBEDO, N.L. MEXICO C.P. 66052
 TEL: (81) 8397 0240 / 8397 4624 / 8397 3855 / 8397 3852 / 8384 46 22 / 8384 1545

www.tupronsa.com.mx

CRUCES ROSCADAS

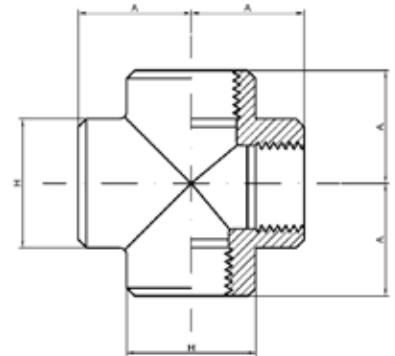


CRUCES NPT 3000LBS A105

CRUCES NPT A105		Rating: 3000LBS
Especificaciones		
Material	Acero carbono ASTM A105	
Normativa	NACE MR 0175	

CRUCES 3000LBS / 6000LBS NPT

DN	3000LBS				6000LBS			
	A	H	G	Peso aprox. (kg.)	A	H	G	Peso aprox. (kg.)
1/4"	24.64	25.40	3.30	0.22	28.45	33.27	6.60	0.47
3/8"	28.45	33.27	3.51	0.40	33.27	38.10	6.98	0.67
1/2"	33.27	38.10	4.09	0.63	38.10	45.97	8.15	1.12
3/4"	38.10	45.97	4.32	0.93	44.45	55.63	8.53	1.90
1"	44.45	55.63	4.98	1.47	50.80	61.98	9.93	2.90
1.1/4"	50.80	61.98	5.28	1.77	60.45	75.44	10.59	4.20
1.1/2"	60.45	75.44	5.56	3.42	63.50	84.07	11.07	6.35
2"	63.50	84.07	7.14	5.00	82.55	101.60	12.09	9.80
2.1/2"	82.55	101.60	7.64	7.32	95.25	120.65	15.29	16.00
3"	95.25	120.65	8.84	11.20	106.43	146.05	16.64	22.60
4"	114.30	152.40	11.18	19.00	114.30	152.40	18.67	28.10



TUBERIA Y PRODUCTOS DEL NORTE, S.A. DE C.V.

MIGUEL HIDALGO No. 1204 COL. LOS ALTOS, GRAL. ESCOBEDO, N.L. MEXICO C.P. 66052
 TEL: (81) 8397 0240 / 8397 4624 / 8397 3855 / 8397 3852 / 8384 46 22 / 8384 1545

www.tupronsa.com.mx

TUERCA UNION ROSCADA

TUERCA UNIÓN NPT 3000LBS A105



TUERCA UNION NPT

Rating: 3000LBS

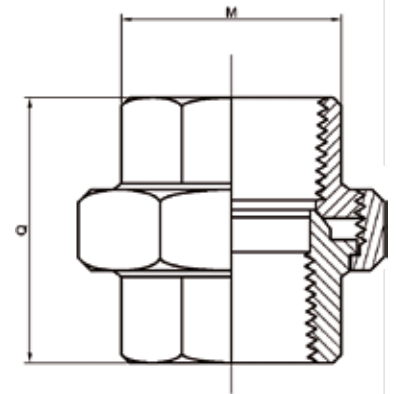
Especificaciones

Material
Normativa

Acero carbono **ASTM A105**
NACE MR 0175

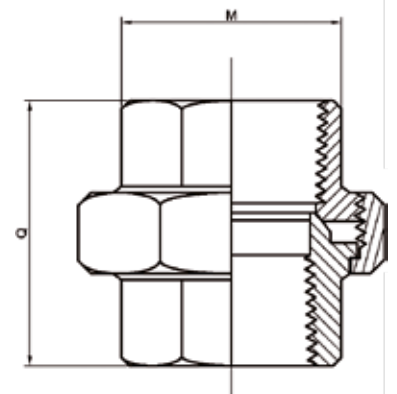
TUERCA UNIÓN H/H 3000LBS / 6000LBS NPT

DN	3000LBS			6000LBS		
	Q	R	Peso aprox.	Q	R	Peso aprox.
1/4"	42.42	36.07	0.14	54.10	45.97	0.45
3/8"	47.50	41.15	0.20	57.15	50.80	0.60
1/2"	52.07	45.97	0.35	69.08	59.94	0.85
3/4"	57.15	55.88	0.43	72.14	72.14	1.40
1"	62.99	65.02	0.65	80.01	80.01	1.75
1.1/4"	70.10	77.98	0.98	88.90	93.98	3.00
1.1/2"	77.98	86.11	1.26	107.95	100.08	4.00
2"	88.90	103.12	2.01	114.05	121.92	6.10
2.1/2"	114.05	121.92	5.50	130.30	144.02	9.40
3"	130.05	144.02	8.00	150.11	180.09	15.50
4"	150.11	180.09	12.80	-	-	-



TUERCA UNIÓN M/H 3000LBS / 6000LBS NPT

DN	3000LBS			6000LBS		
	Q	R	Peso aprox.	Q	R	Peso aprox.
1/4"	62.99	32.00	0.18	72.64	45.97	0.43
3/8"	69.09	38.10	0.25	76.96	50.80	0.65
1/2"	76.96	45.97	0.45	94.49	59.94	1.10
3/4"	80.01	50.80	0.55	98.55	72.14	1.45
1"	97.03	59.94	0.85	107.95	80.01	2.15
1.1/4"	101.09	72.14	1.25	119.89	93.98	3.40
1.1/2"	109.98	80.01	1.70	138.18	100.08	4.15
2"	119.89	93.98	2.60	146.05	121.92	5.80

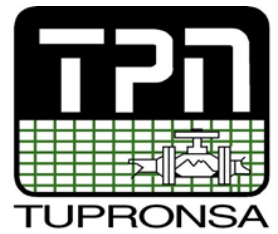


TUBERIA Y PRODUCTOS DEL NORTE, S.A. DE C.V.

MIGUEL HIDALGO No. 1204 COL. LOS ALTOS, GRAL. ESCOBEDO, N.L. MEXICO C.P. 66052
TEL: (81) 8397 0240 / 8397 4624 / 8397 3855 / 8397 3852 / 8384 46 22 / 8384 1545

www.tupronsa.com.mx

TAPÓN HEXAGONAL ROSCADO



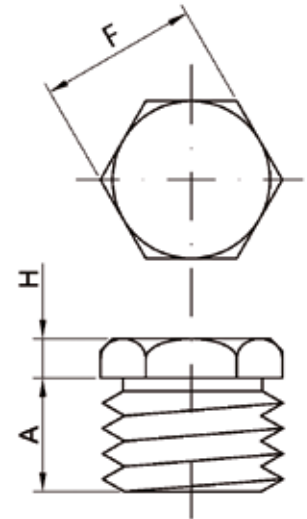
TAPÓN CABEZA HEXAGONAL NPT 3000LBS A105



TAPÓN CABEZA HEXAGONAL NPT A105		Rating: 3000LBS
Especificaciones		
Material	Acero carbono ASTM A105	
Normativa	NACE MR 0175	

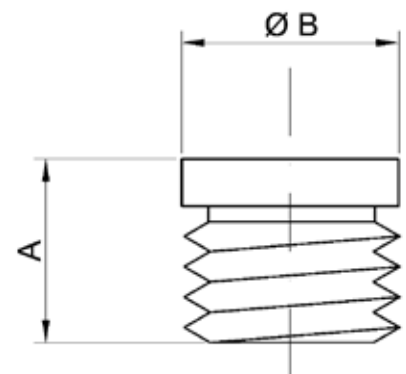
TAPÓN CABEZA HEXAGONAL 3000LBS / 6000LBS NPT

DN	3000/6000LBS			Peso (kg.)
	A	F	H	
1/4"	11.18	15.75	6.35	0.03
3/8"	12.70	17.53	7.87	0.04
1/2"	14.22	22.35	7.87	0.07
3/4"	15.75	26.92	9.65	0.14
1"	19.05	35.05	9.65	0.21
1.1/4"	20.57	44.45	14.22	0.42
1.1/2"	20.57	50.80	15.75	0.58
2"	22.35	63.50	17.53	1.00
2.1/2"	26.92	76.20	19.05	1.85
3"	28.45	88.90	20.57	3.00
4"	31.75	117.35	25.40	6.00



TAPÓN CABEZA REDONDA 3000LBS / 6000LBS NPT

DN	3000/6000LBS		Peso (kg.)
	A	B	
1/4"	11.18	13.46	0.04
3/8"	12.70	17.53	0.07
1/2"	14.22	21.34	0.12
3/4"	15.75	26.93	0.19
1"	19.05	33.27	0.34
1.1/4"	20.57	42.93	0.55
1.1/2"	20.57	48.51	0.72
2"	22.35	60.45	1.41
2.1/2"	26.92	73.15	2.20
3"	28.45	88.90	3.26
4"	31.75	114.30	6.02

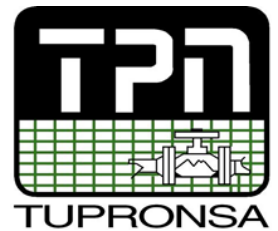


TUBERIA Y PRODUCTOS DEL NORTE, S.A. DE C.V.

MIGUEL HIDALGO No. 1204 COL. LOS ALTOS, GRAL. ESCOBEDO, N.L. MEXICO C.P. 66052
 TEL: (81) 8397 0240 / 8397 4624 / 8397 3855 / 8397 3852 / 8384 46 22 / 8384 1545

www.tupronsa.com.mx

TAPÓN CUADRADO ROSCADO



TAPÓN CABEZA CUADRADA NPT 3000LBS A105



TAPÓN CABEZA CUADRADA NPT A105

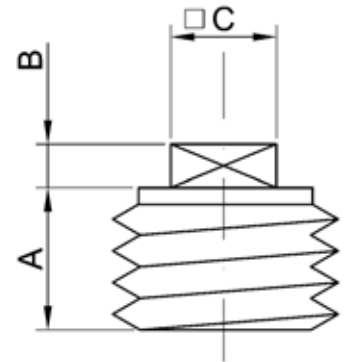
Rating: 3000LBS

Especificaciones

Material Acero carbono **ASTM A105**
Normativa NACE MR 0175

TAPÓN CABEZA CUADRADA 3000LBS / 6000LBS NPT

DN	3000/6000LBS			Peso (kg.)
	A	B	C	
1/4"	11.18	6.35	9.65	0.01
3/8"	12.70	7.87	11.18	0.03
1/2"	14.22	9.65	14.22	0.05
3/4"	15.75	11.18	15.75	0.09
1"	19.05	12.70	20.57	0.16
1.1/4"	20.57	14.22	23.88	0.27
1.1/2"	20.57	15.75	28.45	0.38
2"	22.35	17.53	33.27	0.63
2.1/2"	26.92	19.05	38.10	0.95
3"	28.45	20.57	42.93	1.54
4"	31.75	25.40	63.50	3.85



TUBERIA Y PRODUCTOS DEL NORTE, S.A. DE C.V.

MIGUEL HIDALGO No. 1204 COL. LOS ALTOS, GRAL. ESCOBEDO, N.L. MEXICO C.P. 66052
 TEL: (81) 8397 0240 / 8397 4624 / 8397 3855 / 8397 3852 / 8384 46 22 / 8384 1545

www.tupronsa.com.mx

NIPLE HEXAGONAL ROSCADO



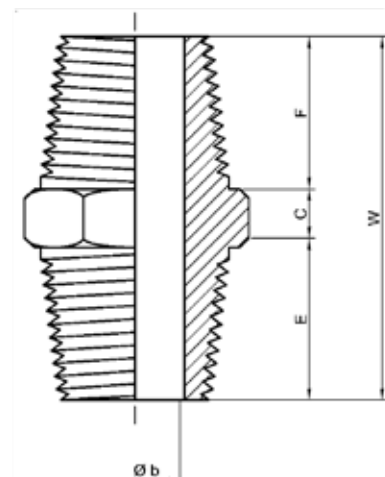
NIPLE HEXAGONAL NPT 3000LBS A105



NIPLE HEXAGONAL NPT A105		Rating: 3000LBS
Especificaciones		
Material	Acero carbono ASTM A105	
Normativa	NACE MR 0175	

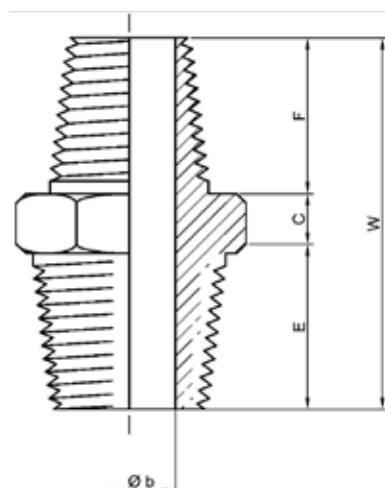
NIPLE HEXAGONAL 3000LBS / 6000LBS NPT

DN	3000/6000LBS							
	A	E	C	W	b*		Peso (kg.)	
					3000LBS	6000LBS	3000LBS	6000LBS
1/4"		14.99	6.10	36.07	7.87	6.10	0.03	0.03
3/8"		16.00	7.87	39.88	10.92	7.87	0.04	0.05
1/2"		20.07	7.87	48.01	13.97	10.92	0.07	0.11
3/4"		21.08	9.91	52.07	19.05	12.95	0.10	0.16
1"		24.89	9.91	59.94	23.88	17.02	0.19	0.32
1.1/2"		25.91	16.00	68.07	38.10	29.97	0.27	0.49
2"		26.92	17.02	71.12	49.02	39.12	0.33	0.37



NIPLE HEXAGONAL REDUCIDO 3000LBS / 6000LBS NPT

DN	E	F	C	W	b*		Peso (kg.)	
					3000LBS	6000LBS	3000LBS	6000LBS
					1/4" x 1/8"	14.99	9.91	6.10
3/8" x 1/4"	16.00	14.99	7.87		7.87	6.10	0.05	0.06
1/2" x 3/8"	20.07	16.00	7.87		10.92	7.87	0.08	0.10
1/2" x 3/4"	20.07	14.99	7.87		7.87		0.08	0.11
3/4" x 1/2"	21.08	20.07	8.89		13.97	10.92	0.10	0.15
3/4" x 3/8"	21.08	16.00	8.89		10.92	7.87	0.11	0.13
1" x 3/4"	24.89	21.08	9.91		19.05	12.95	0.20	0.30
1" x 1/2"	24.89	20.07	9.91		13.97	10.92	0.21	0.29
1.1/2" x 1"	25.91	24.89	16.00		23.88	17.02	0.21	0.25
1.1/2" x 3/4"	25.91	21.08	16.00		19.05	12.95	0.40	0.58
1.1/2" x 1/2"	25.91	20.07	16.00		13.97	10.92	0.60	0.74
2" x 1.1/2"	26.92	25.91	17.02		38.10	29.97	0.65	0.74
2" x 1"	26.92	24.89	18.03		23.88	17.02	0.65	0.77
2" x 3/4"	26.92	21.08	17.02		19.05	12.95	0.85	1.10
2" x 1/2"	26.92	20.07	18.03		13.97	10.92	0.99	1.30



TUBERIA Y PRODUCTOS DEL NORTE, S.A. DE C.V.

MIGUEL HIDALGO No. 1204 COL. LOS ALTOS, GRAL. ESCOBEDO, N.L. MEXICO C.P. 66052

TEL: (81) 8397 0240 / 8397 4624 / 8397 3855 / 8397 3852 / 8384 46 22 / 8384 1545

www.tupronsa.com.mx

REDUCCIÓN BUSHING ROSCADA



BUSHING CABEZA HEXAGONAL NPT 3000LBS A105



BUSHING CABEZA HEXAGONAL NPT A105

Rating: 3000LBS

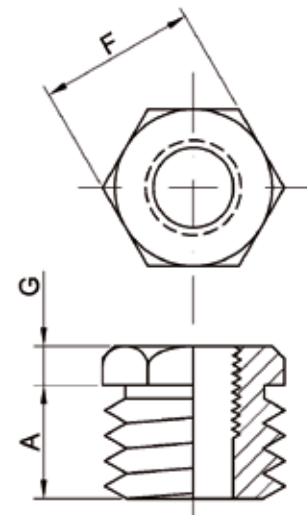
Especificaciones

Material
Normativa

Acero carbono **ASTM A105**
NACE MR 0175

BUSHING CABEZA HEXAGONAL 3000LBS / 6000LBS NPT

DN	3000/6000LBS				Peso (kg.)
	A	F	G		
3/8" x 1/4"	12.70	17.53	4.06	-	
1/2" x 3/8"	14.22	22.35	4.83	0.04	
1/2" x 1/4"	14.22	22.35	4.83	0.09	
3/4" x 1/2"	15.75	26.92	5.59	0.02	
3/4" x 1/4"	15.75	26.92	5.59	0.03	
1" x 3/4"	19.05	35.05	6.35	0.05	
1" x 1/2"	19.05	35.05	6.35	0.07	
1" x 1/4"	19.05	35.05	6.35	0.18	
1.1/4" x 1"	20.57	44.45	7.11	0.25	
1.1/2" x 1"	20.57	50.80	7.87	0.45	
1.1/2" x 3/4"	20.57	50.80	7.87	0.60	
1.1/2" x 1/2"	20.57	50.80	7.87	1.16	
2" x 1.1/2"	22.35	63.50	8.64	1.75	
2" x 1"	22.35	63.50	8.64	2.50	
2.1/2" x 2"	26.92	76.20	9.65	6.00	
3" x 2"	28.45	88.90	10.41	11.50	
4" x 3"	31.75	117.35	12.70	22.30	
4" x 2"	31.75	117.35	12.70	45.60	



TUBERIA Y PRODUCTOS DEL NORTE, S.A. DE C.V.

MIGUEL HIDALGO No. 1204 COL. LOS ALTOS, GRAL. ESCOBEDO, N.L. MEXICO C.P. 66052
TEL: (81) 8397 0240 / 8397 4624 / 8397 3855 / 8397 3852 / 8384 46 22 / 8384 1545

www.tupronsa.com.mx

SWAGE ROSCADO

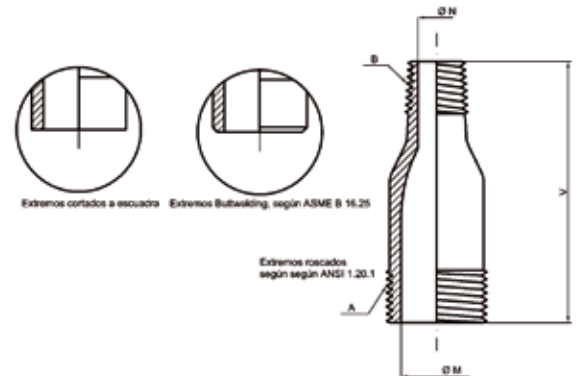


SWAGE NIPPLE NPT 3000LBS A105

SWAGE NIPPLE NPT A105		Rating: 3000LBS
Especificaciones		
Material	Acero carbono ASTM A105	
Normativa	NACE MR 0175	

SWAGE NIPPLE 3000LBS / 6000LBS NPT

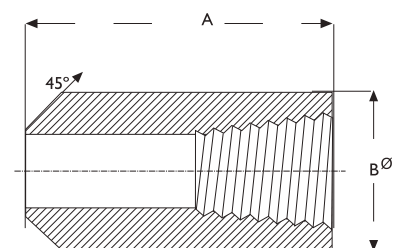
DN	3000-6000LBS		Peso (kg)	
	K	L	3000LBS	6000LBS
3/8" x 1/4"	76.20	20.07	0.06	0.07
1/2" x 3/8"	88.90	20.07	0.08	0.11
1/2" x 1/4"	88.90	20.07	0.08	0.10
3/4" x 1/2"	69.85	21.08	0.14	0.22
3/4" x 3/8"	69.85	21.08	0.17	0.29
1" x 3/4"	90.17	22.10	0.20	0.31
1" x 1/2"	90.17	22.10	0.22	0.36
1.1/4" x 1"	90.17	24.89	0.39	0.63
1.1/2" x 1.1/4"	115.06	24.89	0.44	0.70
1.1/2" x 1"	115.06	24.89	0.53	0.83
1.1/2" x 3/4"	115.06	24.89	0.54	0.81
2" x 1.1/2"	165.10	29.97	0.48	0.72
2" x 1.1/4"	165.10	29.97	0.55	0.83
2" x 1"	165.10	29.97	0.78	1.18
2.1/2" x 2"	178.05	35.05	1.23	2.10
3" x 2"	203.20	39.88	2.08	3.40
4" x 3"	230.12	44.96	4.52	7.64
4" x 2"	230.12	44.96	4.35	7.25



BOSSES NPT A105		Rating: 3000LBS
Especificaciones		
Material	Acero carbono ASTM A105	
Normativa	NACE MR 0175	

BOSSES 3000LBS NPT

DN	3000LBS					
	A mín.	B Ø	C	D Ø	E	Peso (kg)
1/4"	41.5	32.0	32.0	14.0	9.5	0.23
3/8"	44.5	35.0	33.5	17.5	11.0	0.29
1/2"	51.0	38.0	38.0	21.7	12.5	0.36
3/4"	51.0	44.5	36.5	27.1	14.5	0.48
1"	51.0	57.0	35.0	33.8	16.0	0.77
1.1/4"	51.0	63.5	33.5	42.6	17.5	0.84
1.1/2"	51.0	76.0	32.0	48.7	19.0	1.21
2"	51.0	92.0	28.5	61.1	22.0	1.71



TUBERIA Y PRODUCTOS DEL NORTE, S.A. DE C.V.

MIGUEL HIDALGO No. 1204 COL. LOS ALTOS, GRAL. ESCOBEDO, N.L. MEXICO C.P. 66052
 TEL: (81) 8397 0240 / 8397 4624 / 8397 3855 / 8397 3852 / 8384 46 22 / 8384 1545

www.tupronsa.com.mx